

VARIODYN[®] D1 Power Amplifiers

2XV200, 2XV300, 2XV500

AVD-G11-A222/-A223/-A225

Data Sheet



Application

Power Amplifiers with two separate channels and 100V output transformers.

Compatible with VARIODYN[®] D1 system. Operation: controlled by VARIODYN[®] D1 System modules DOM4-8 or DOM4-24.

Features

Integrated electronic protection against thermal overload and short circuit. Temperature controlled fans, airflow from front to rear.

Compliant to IEC BS EN 60268-3, 55013, 55020.

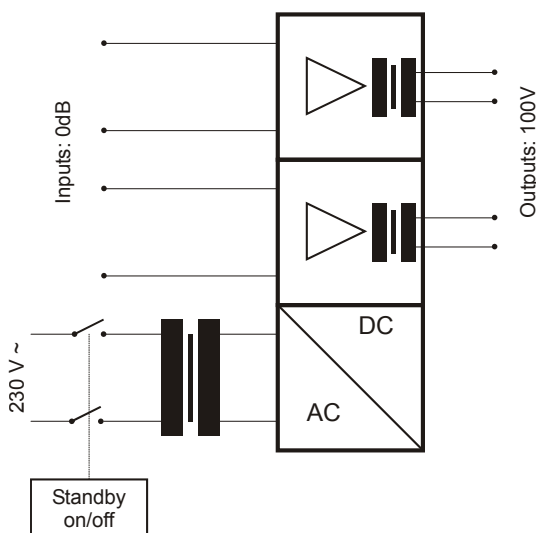
Connections

- One combined AF-/Control Input
- One dual channel 100V Output
- One Mains Power Input.

Connectors fitting to VARIODYN[®] D1System.
100V outputs provided on touch safe terminals.

Indications (per channel)

- one green POWER LED
- one red ERROR LED
- one green MODULATION LED
- one red CLIP-LED.



Symbolic diagram of all Power Amplifier models

Technical data

Power amplifier	Rated Output Power	Peak Power Consumption	Power Consumption at 1/3 load	Power Consumption at 1/8 load	Power Consumption in Standby Mode
2XV200-D1	2x200W sin.	5,2A	3,2A	2,0A	0VA sep. from the net
2XV300-D1	2x300W sin.	6,1A	3,6A	2,3A	0VA sep. from the net
2XV500-D1	2x500W sin.	9,9A	5,9A	3,8A	0VA sep. from the net

Class of operation	Class AB
Rated Frequency Range (-3 dB)	50 Hz to 22 kHz
Signal to Noise Ratio, unweighted	> 105dB
Distortion Factor at full load	< 0,08%
Channel Separation	> 75dB
Input Level for max. output (100V)	+6dBu
Input Impedance	> 20kΩ, electr. balanced
Mains Supply	230V~, 50/60Hz, +10% to -5%
Ambient Temperature Range	-5°C to +55°C
Ambient Humidity Range	40%..90%, not condensing
Mains Power Fuse	T8A / 250V

Front finish	RAL 7016 grey
Dimensions (HxWxD)	88x483x400mm 2 HU, 19"

Weight approx.	
2XV200	17kg
2XV300	19kg
2XV500	33kg

Ordering Data

	Order No.
Power amplifier 2x200W/100V	AVD-G11-A222
Power amplifier 2x300W/100V	AVD-G11-A223
Power amplifier 2x500W/100V	AVD-G11-A225
Cable DOM-XV for Amplifier Audio Inputs and Control	AVD-G11-A471
Cable XV-DOM for Amplifier Audio Outputs	AVD-G11-A476
Mounting set 1	AVD-G11-A703